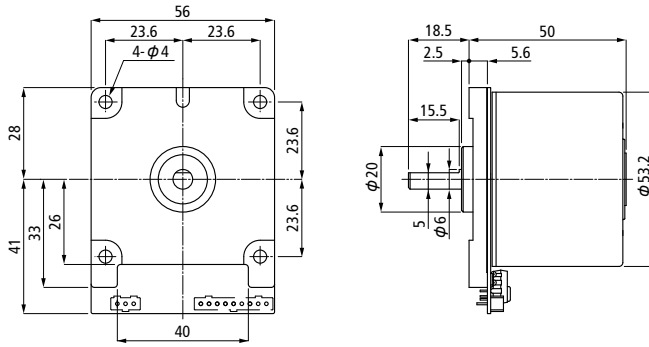


## ■ BF54 Series (Outer Rotor)



MODEL	Rated Voltage	Rated Power Output	Rated Torque	Rated Speed	Rated Current	No Load Speed	No Load Current	Starting Torque
	V	W	mN · m (gf · cm)	r/min	mA	r/min	mA	mN · m (gf · cm)
BF54 M-speed	24	23	167 (1700)	1360	1500	2160	130	441 (4500)
BF54 H-speed	24	31	167 (1700)	1800	2200	2600	150	539 (5500)