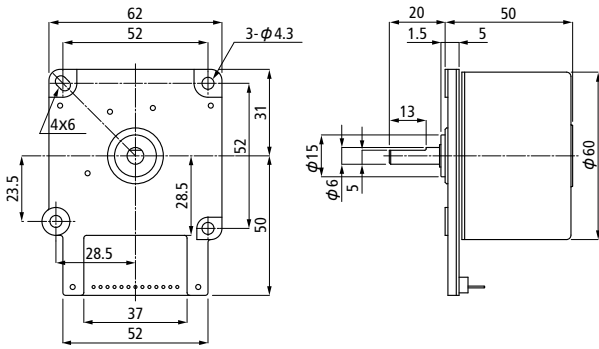


## ■ BF60 Series (Outer rotor)



MODEL	Rated Voltage	Rated Power Output	Rated Torque	Rated Speed	Rated Current	No Load Speed	No Load Current	Starting Torque
	V	W	mN · m(gf · cm)	r/min	mA	r/min	mA	mN · m(gf · cm)
BF60	24	40	196 (2000)	1990	2500	2980	195	588 (6000)