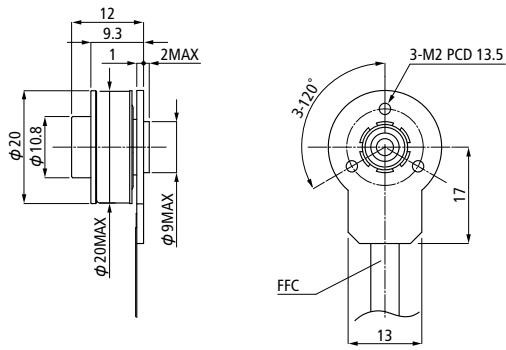


■ BN20 Series (Outer Rotor)



MODEL	Rated Voltage	No Load Speed	No Load Current	Torque Constant	Winding Resistance
	V	r/min	mA	mN · m/(A·gf · cm/A)	Ω
BN20	12	16000	120	5.9 (60)	8