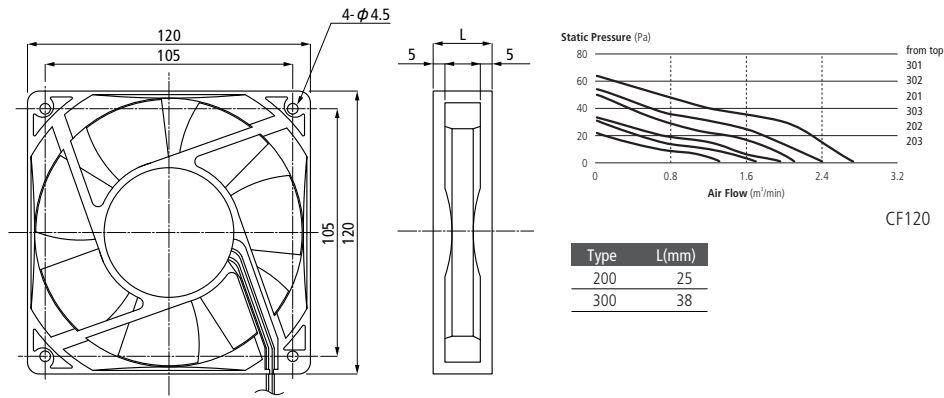


CF120 Series



MODEL	Rated Voltage	Rated Input	Rated Speed	Rated Current	Max Air Flow	Max Static Pressure	Sound Level
	V	W	r/min	mA	m³/min	Pa	dB(A)
CF120-T / H201N1D	12	3.72	2400	310	2.15	50.0	39
	24	4.32	2400	180	2.15	50.0	39
CF120-T / H202N1D	12	2.04	1950	170	1.70	31.4	34
	24	2.40	1950	100	1.70	31.4	34
CF120-T / H203N1D	12	1.44	1650	120	1.40	20.6	31
	24	1.92	1650	80	1.40	20.6	31
CF120-T / H301N1D	12	6.60	2800	550	2.70	62.8	44
	24	6.48	2800	270	2.70	62.8	44
CF120-T / H302N1D	12	4.92	2540	410	2.40	53.0	40
	24	5.04	2540	210	2.40	53.0	40
CF120-T / H303N1D	12	2.88	1950	240	1.90	32.4	34
	24	3.36	1950	140	1.90	32.4	34
CF120-H304N1D	24	8.64	3120	360	3.24	96.1	47