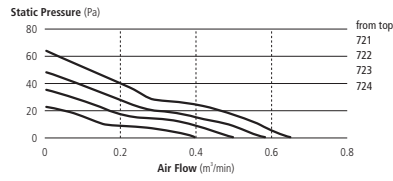
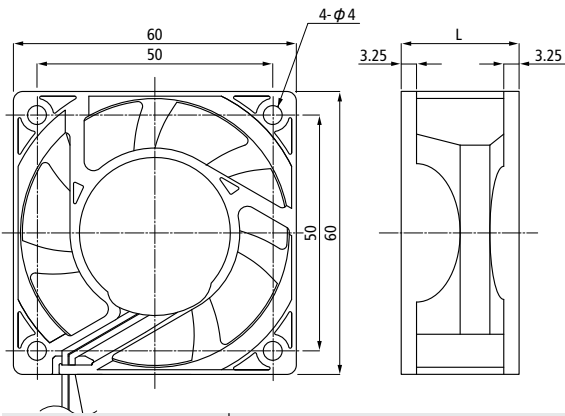


CF60 Series



Type	L(mm)
700	25
800	15

MODEL	Rated Voltage	Rated Input	Rated Speed	Rated Current	Max Air Flow	Max Static Pressure	Sound Level
	V	W	r/min	mA	m³/min	Pa	dB(A)
CF60-T721N1D	12	2.28	4960	190	0.65	60.0	35
CF60-T722N1D	12	1.56	4060	130	0.58	48.0	31
CF60-T723N1D	12	1.20	3500	100	0.50	35.7	26
CF60-T724N1D	12	0.84	2800	70	0.40	22.8	23
CF60-T801N1D	12	2.16	4080	190	0.43	50.3	32
CF60-T802N1D	12	1.68	3600	140	0.36	40.2	29
CF60-T803N1D	12	1.08	3120	110	0.31	30.4	26
CF60-H721N1D	24	2.40	4960	100	0.65	60.0	35
CF60-H722N1D	24	1.68	4060	70	0.58	48.0	31
CF60-H723N1D	24	1.44	3500	60	0.50	35.7	26
CF60-H724N1D	24	0.96	2800	40	0.40	22.8	23
CF60-H801N1D	24	2.40	4080	80	0.43	53.0	32
CF60-H802N1D	24	1.92	3600	80	0.36	40.2	29
CF60-H804N1D	24	2.40	5250	100	0.67	78.5	37