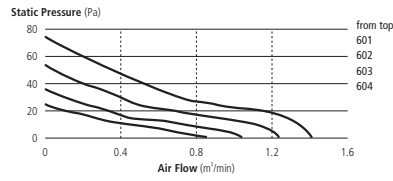
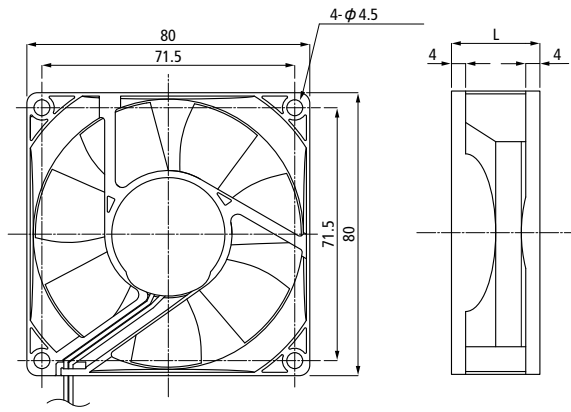


CF80 Series



CF80

Type	L(mm)
600	25
700	15

MODEL	Rated Voltage V	Rated Input W	Rated Speed r/min	Rated Current mA	Max Air Flow m³/min	Max Static Pressure Pa	Sound Level dB(A)
CF80-T601N1D	12	3.12	4200	260	1.50	73.5	41
CF80-T602N1D	12	2.16	3460	180	1.25	51.0	35
CF80-T603N1D	12	1.56	3010	130	1.05	36.3	30
CF80-T604N1D	12	1.08	2440	90	0.85	25.5	27
CF80-T701N1D	12	2.28	3800	190	0.79	41.2	34
CF80-T702N1D	12	1.80	3300	150	0.68	30.4	29
CF80-T703N1D	12	1.20	2900	100	0.60	25.5	27
CF80-H601N1D	24	3.12	4200	130	1.50	73.5	41
CF80-H602N1D	24	2.40	3460	100	1.25	51.0	35
CF80-H603N1D	24	1.92	3010	80	1.05	36.3	30
CF80-H604N1D	24	1.20	2440	50	0.85	25.5	27
CF80-H701N1D	24	2.40	3800	130	0.79	41.2	34
CF80-H702N1D	24	1.92	3300	100	0.68	30.4	29
CF80-H704N1D	24	3.84	4200	160	1.50	73.5	43