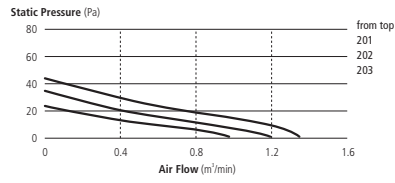
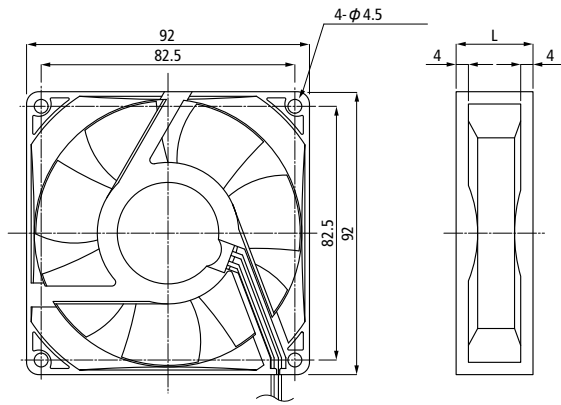


CF92 Series



Type	L(mm)
1300	25
500	15

CF92

MODEL	Rated Voltage	Rated Input	Rated Speed	Rated Current	Max Air Flow	Max Static Pressure	Sound Level
	V	W	r/min	mA	m³/min	Pa	dB(A)
CF92-T / H201N1D	12	2.64	2740	220	1.35	42.2	33
	24	2.88	2740	120	1.35	42.2	33
CF92-T / H202N1D	12	1.92	2430	160	1.18	33.3	30
	24	2.16	2430	90	1.18	33.3	30
CF92-T / H203N1D	12	1.56	2030	130	0.98	22.6	25
	24	1.68	2030	70	0.98	22.6	25
CF92-T / H511N1D	12	2.40	3100	200	0.96	30.4	32
	24	2.40	3100	100	0.96	30.4	32
CF92-T / H512N1D	12	1.20	2400	100	0.73	19.6	25
	24	1.92	2650	80	0.83	23.5	28
CF92-H301N2D	24	4.80	3500	200	1.72	68.6	39