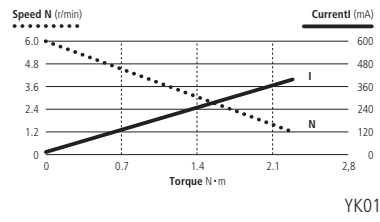
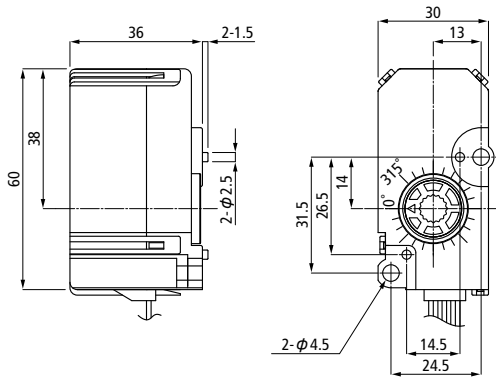


# YK01



YK01

\*( ) at no load

MODEL	Rated Voltage V	Rated Torque N·m(kgf·cm)	Rated Speed* r/min	Rated Current* mA	Rotation
YK01	12	0.39 (4)	5 (6)	200 (100)	CW/CCW